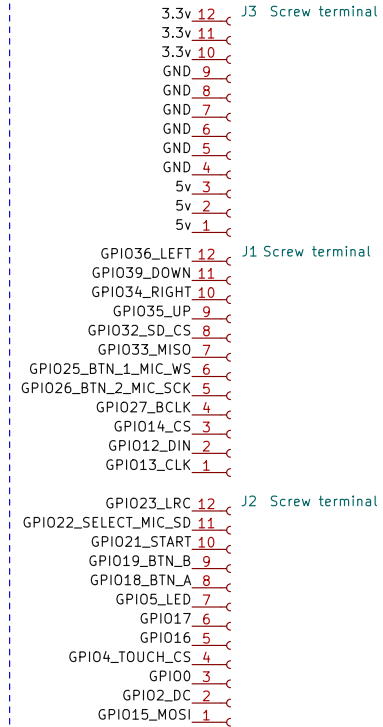


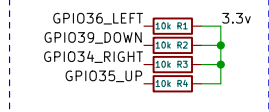
12x3 Screw terminal



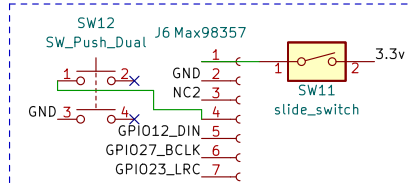
ESP32



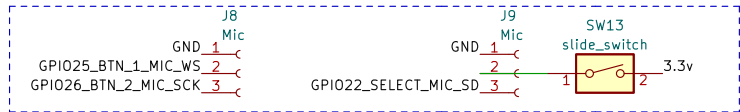
Pullups input pins



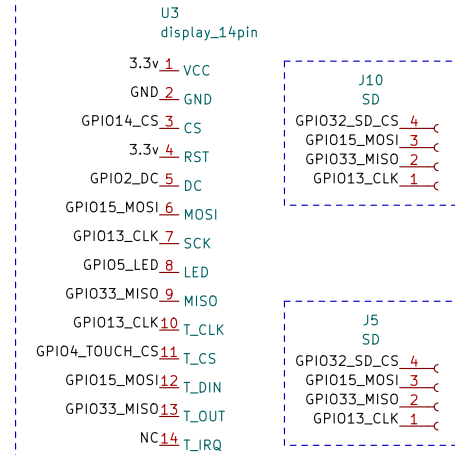
Audio: Max98357



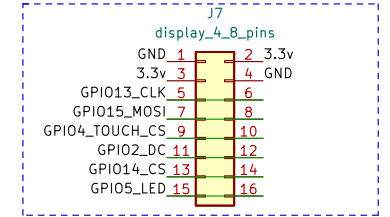
Mic: INMP441 **3 pin shared**



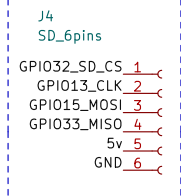
Display ILI9341 & ILI9488



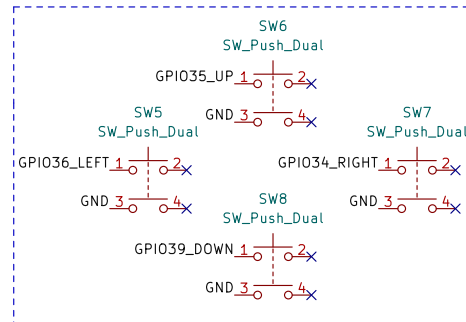
Display ST7735 & ST7789 & I2C



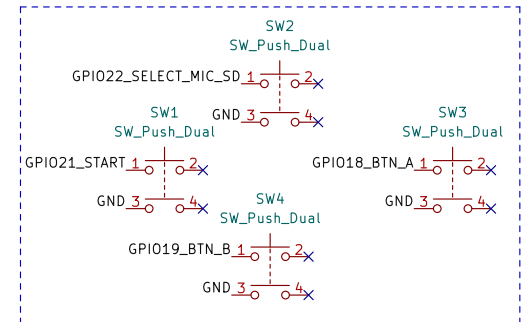
SD Card 6 pins



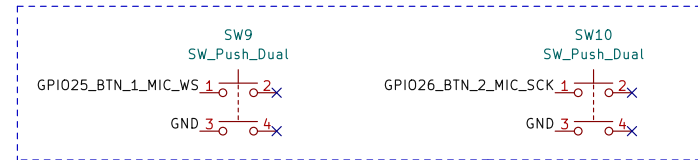
Left buttons



Right buttons **1 pin shared**



Center buttons **2 pin shared**



ZioTester.it

Sheet: /
File: ESP32-devkit-screw-display.kicad_sch

Title: ESP32 – Multimedia dev board

Size: A4 Date: 2022-02-24
KiCad E.D.A. kicad (6.0.4)

Rev: 1.1
Id: 1/1